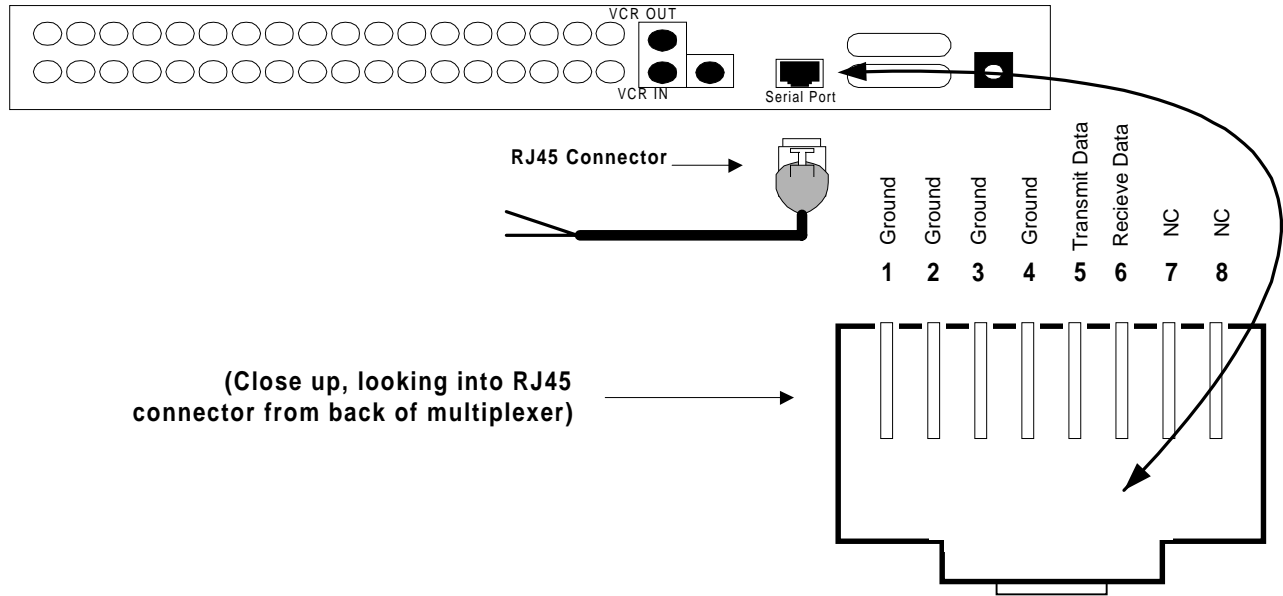


RJ45 Pinout and connections for DPX16, 16m, DPX9, 9m, DPX4



RJ-45 to 9 Pin Socket D-Sub

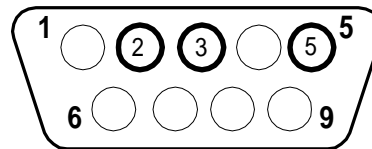
Parts Required

Digikey 046-0001-ND DB9S to RJ45

Wire the unit according to the following diagram:

| RJ-45 | DB9S |
|-------|------|
| 6 | 3 |
| 5 | 2 |
| 4 | 5 |

Cut the rest of the wires to prevent shorting.



DB9 connector from back

- 2. Transmit Data
- 3. Receive Data
- 5. Signal Ground

RJ-45 to 25 Pin Socket D-Sub

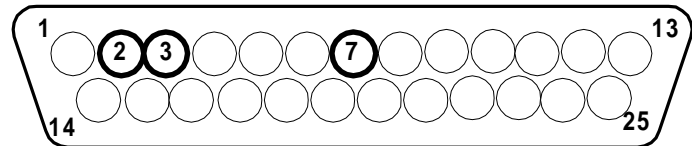
Parts Required

Digikey 046-0011-ND DB25S to RJ45

Wire the unit according to the following diagram:

| RJ-45 | DB25S |
|-------|-------|
| 6 | 2 |
| 5 | 3 |
| 4 | 7 |

Cut the rest of the wires to prevent shorting.



DB25 connector from back

- 3. Transmit Data
- 2. Receive Data
- 7. Signal Ground